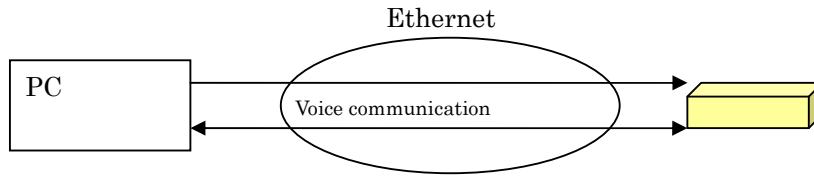


SIP Phone Terminal

This SIP Phone Terminal will achieve the voice communication with the remote PC Soft phone via Internet with Ethernet interface. There are benefits to compare with PC Soft Phone. That are easy setup and low power consumption.

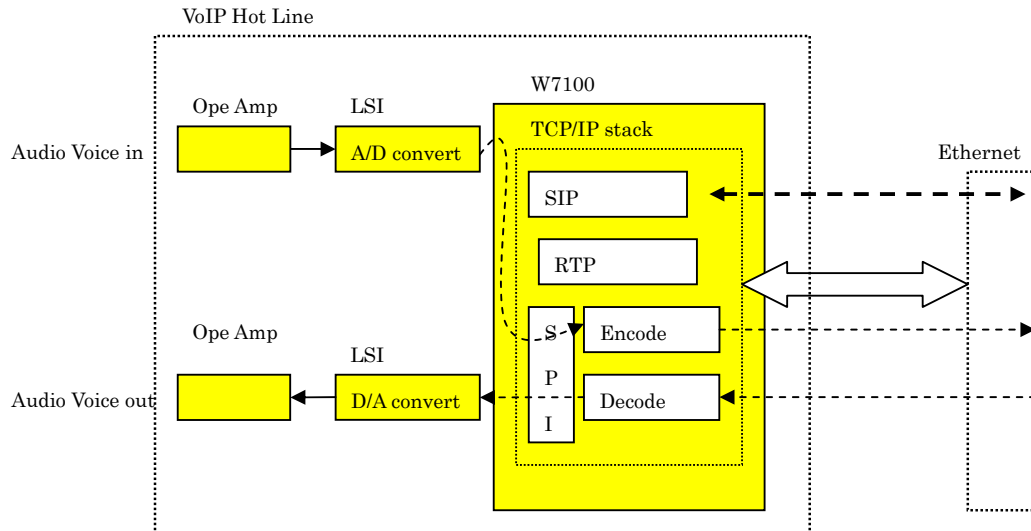
The system configuration of this SIP Phone Terminal is shown bellow.



The basic functions of this device are SIP(Session Initiation Protocol) and RTP(Real-Time Transport Initiation Protocol). So there are 2 functions. That is voice session control function and voice transfer and receive function.

Hardware block diagram is as follows;

The device composed with W7100 and additional ICs such as AD/DA conversion and voice amplifier.



These functions achieved with W7100. And the input of voice is done by A/D conversion LSI and output is done by D/A conversion LSI. In order to control LSI' s, SPI(Serial Peripheral Interface) is used. MCP3002 is used for 10 bit A/D conversion and MCP4822 is used 12 bits D/A conversion.

For voice input Op amplifier is used. LM358 is used anti alias amplifier. And for voice out put, TA7368P is used for audio power amplifier.

The board circuit is shown below and the board picture is shown bellow.

