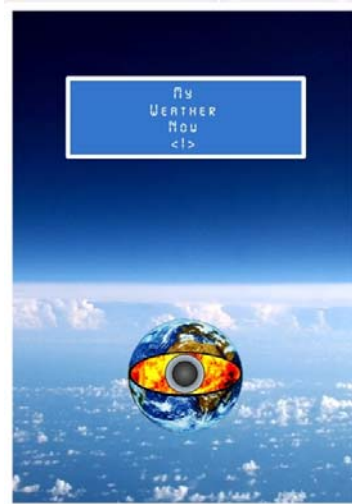


WIZnet iMCU Design Contest 2010 Entry #003082

“My Weather Now!”

Abstract



(Concept)



(Prototype – wall mount)

Eligible Part: WIZnet W7100

Everyone seems to comment about the weather (at some point) each and every day ... you may love it, hate it, etc.; however, you can never change it. My wife usually comments about how she hates waiting for the forecast to come up on our TV (more so, than commenting on the actual weather). This was my motivation for the “My Weather Now!” project.

With this unit you **can** change how you receive your weather information. With the touch of a single button you can view **your** weather conditions instantly. In addition, weather information is displayed for two additional *favorite* cities (such as, where your parents or relatives live ... where you'd like to live ... or extreme weather locations for your entertainment – “Oooo, I'd hate to be there right now!”). “My Weather Now!” displays current conditions, 3-day forecast, important alerts, and more (updated every 10-minutes – behind your back, while you're not looking). The unit stays in a low-power mode until you need it. Also, there is an alert LED which you can see at-a-glance to get your attention in the event that there is important alert information waiting for you.

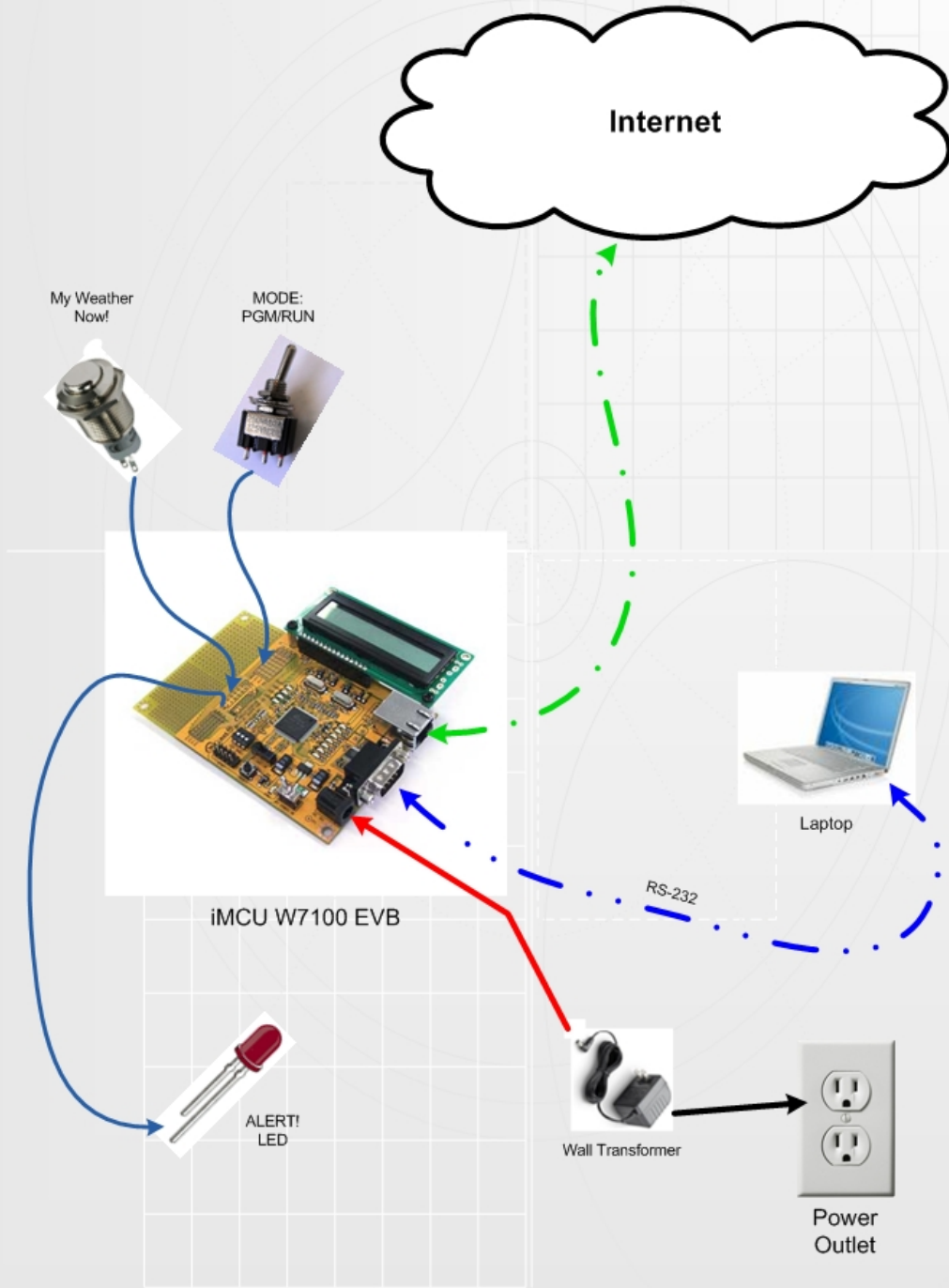
Customized settings are programmed using any PC with a serial port and an RS-232 interface cable. There are two modes of operation: Program Mode (entering your zip codes, cities,

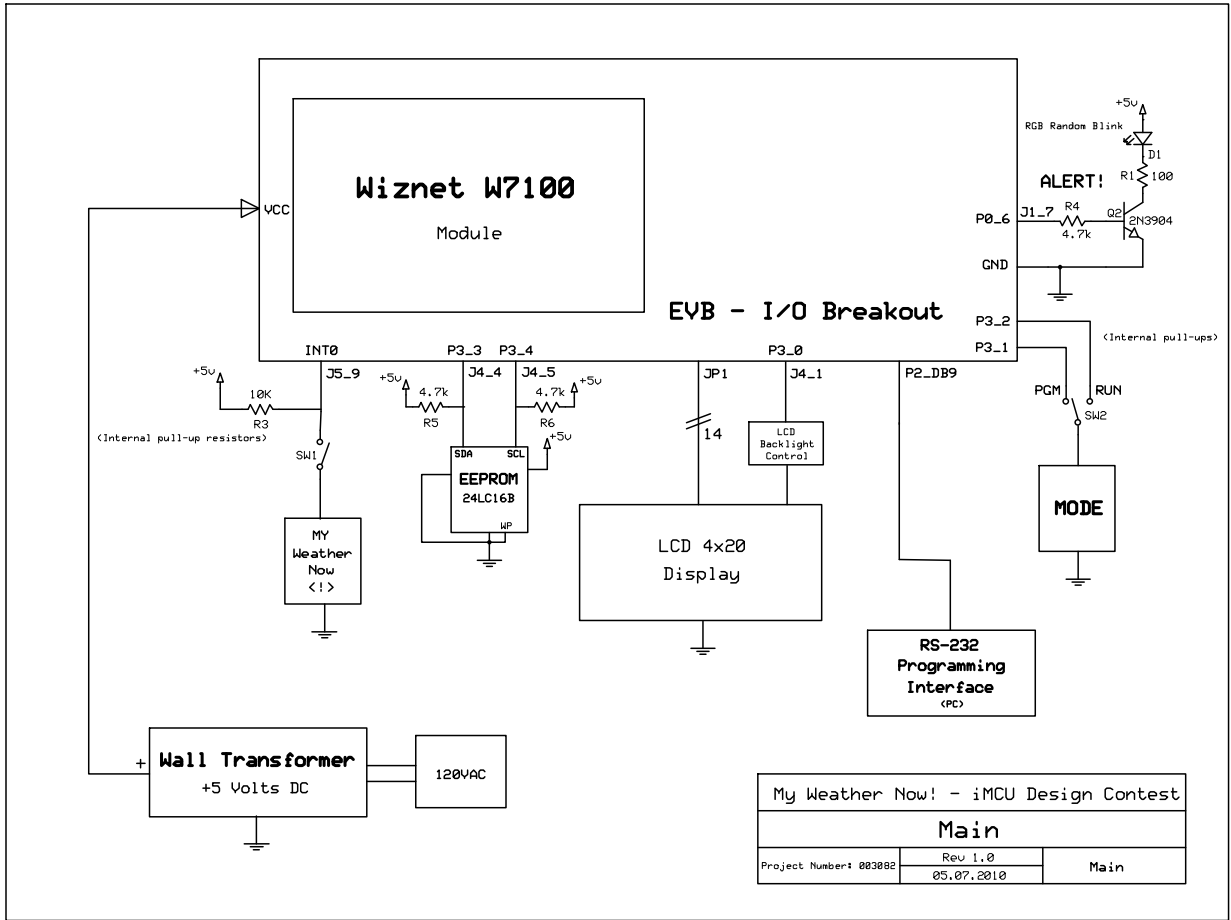
Weatherbug account passcode, DHCP or static IP settings, etc.) and RUN Mode (normal operation). After the initial set-up procedure you can forget about these settings because all of the custom settings are saved to non-volatile EEPROM memory.

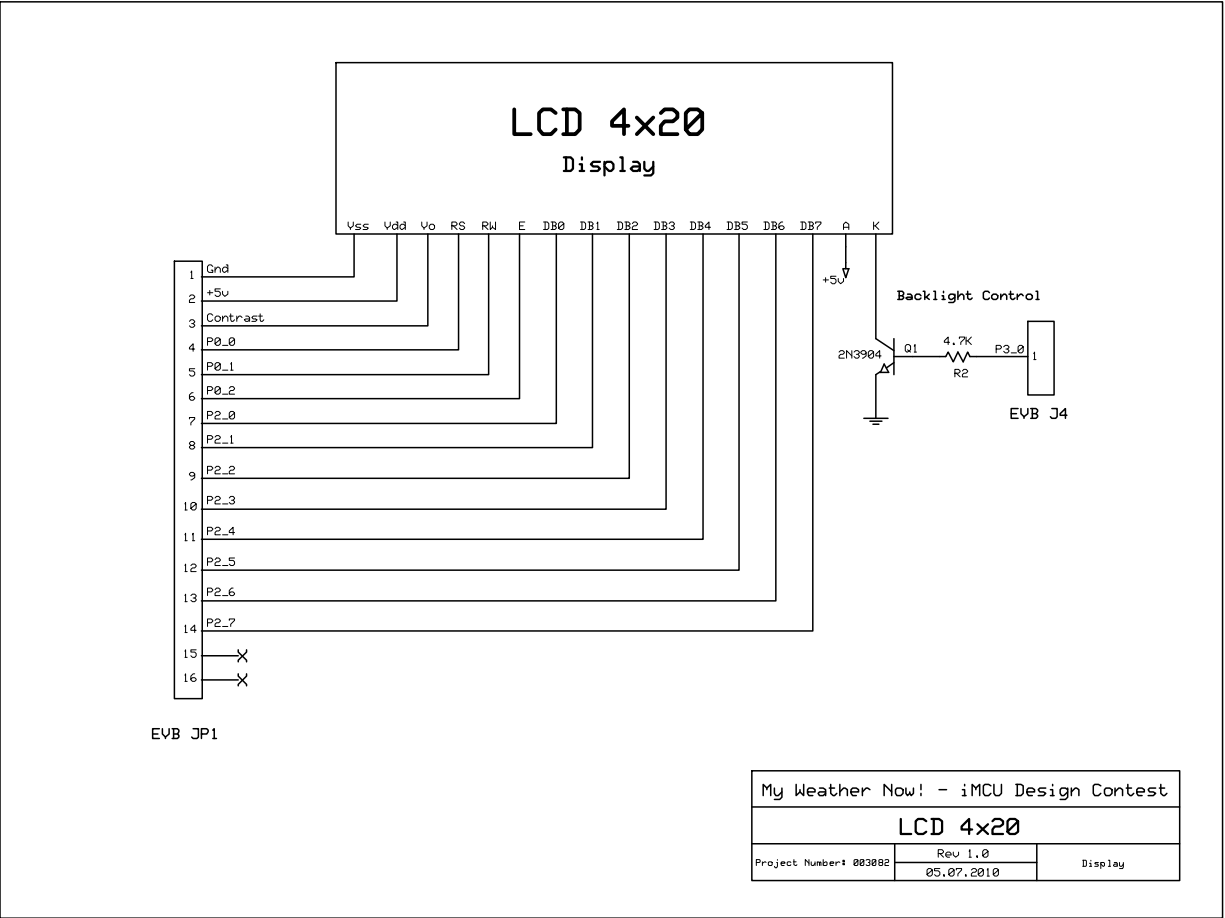
It is now as easy as looking out the window to check on the weather – the information you want and need is here, now – no waiting! (My wife should be happy ... for now.) My next project is trying to figure out how to keep the grass from growing (without killing it).

My Weather Now!

Project Number: 003082 – Bleck Diagram







EVB JP1

My Weather Now! - iMCU Design Contest		
LCD 4x20		
Project Number: 003082	Rev 1.0 05.07.2010	Display